

## Type 320 Quick-Connect Diaphragm Seal



TYPE 320

### PRODUCT FEATURES

- 316L stainless steel diaphragm welded to a 316L stainless steel top housing.
- Fill/bleed connection
- Top housing and pressure instrument removable from process.
- Compatible with Tri-Clover and Cherry Burrell S line connections

### PRODUCT INFORMATION

- The 1½"-Type 320 is for use on most 3½" and smaller size gauges; the 2"-Type 320 can be attached to gauges up through 4½" size.
- Quick-connect clamps, gaskets or bottom housings are not supplied.
- Can be used with pressure gauges, switches and transducers.
- Maximum operating pressure and temperature are determined by the gaskets and clamping devices, used in the piping system, by the instrument range and by the fill fluid.

The Ashcroft® Type 320 quick-connect diaphragm seal is designed especially for those applications that require ease of dismantling and re-assembly and do not require a 3A standard rating in accordance with sanitary standard 74-03. Typical applications include the pharmaceutical, dairy, food processing, bio-technology, and filtration markets. Also included are breweries, distilleries, wineries and citrus juice production plants.

### SPECIFICATIONS

**Model Number:** Type 320

**Process Connection Size:** 1½", 2"

**Instrument Connection Size:** ¼", ½ NPT

**Diaphragm Material:** 316L SS

**Bottom Housing Materials:** 316L SS

**Filling Fluid:** Glycerin, Silicone, Halocarbon, Syltherm

## Type 320 Quick-Connect Diaphragm Seal

**Table A – Process Conn. (Tri-Clamp)**

Process Connection	Size	Code
Tri-Clamp	1½	15
Tri-Clamp	2	20

**Table B – Type**

Description	Code
Quick-Connect Diaphragm Seal	320

**Table C – Diaphragm Material**

Material	Code
316L SS	S

**Table D – Housing Materials**

Bottom	Code	Top <sup>(1)</sup>
Not Required	X	316L SS

(1) Top housing material is 316L SS (standard).

**Table E – Instrument Connection**

Instrument Connection	Size	Code
NPT	¼	02T
NPT	½	04T <sup>(2)</sup>

(2) Available only with 2" process connection.

**Table F – Filling Fluid**

Fill	Service	Connection to Instrument	Temperature Range °F	Code
Glycerin	Pressure	Direct Only	0/400	CG
Silicone	Pressure/Vacuum	Direct or Flexible Line	-40/600	CK
Halocarbon	Pressure/Vacuum in presence of strong oxidizing agent	Direct or Flexible Line	-70/300	CF
Syltherm	Pressure	Direct or Flexible Line	-40/750	HA

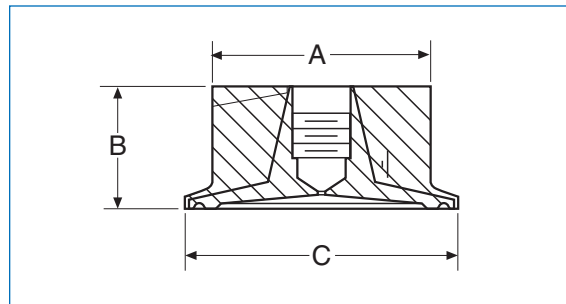
Monel is a registered trademark of Huntington Alloys, Inc.  
 Hastelloy is a registered trademark of Cabot Corp.  
 Halocarbon is a registered trademark of Halocarbon Products  
 GYLON 3510 is a registered trademark of Garlock Inc.

### HOW TO ORDER:

- From Table A...select PROCESS CONNECTION, TriClamp conn 1½ (15 code), 2" (20 code)
- From Table B...select TYPE NUMBER, Quick-connect Diaphragm Seal (320 code)
- From Table C...select DIAPHRAGM MATERIAL. (e.g., 316L SS (code S))
- From Table D...select HOUSING MATERIAL. (e.g., 316L SS (code S))
- From Table E...select INSTRUMENT CONNECTION size. (e.g., ¼ NPT—code 02T)
- From Table F...select FILLING FLUID, if diaphragm seal will be attached to instrument. (e.g., Glycerin—code CG)

Coded order: 15-320SX-02T-CG

### TYPE 320 Quick-Connect



### Type 320 Quick Connect – ¼, ½ NPT

Size	A		B		C	
	in	mm	in	mm	in	mm
1½"	12.50	(42)	.875	(22)	2	(50)
2"	2	(51)	1.125	(29)	2.50	(63)