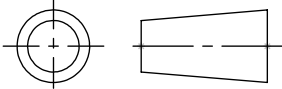
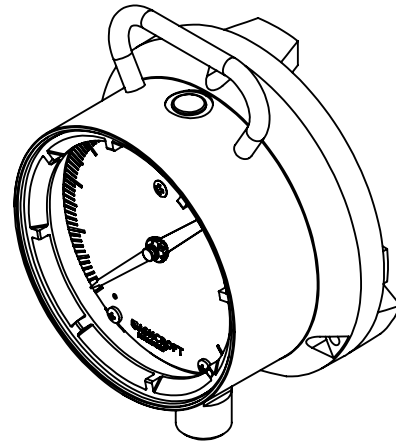
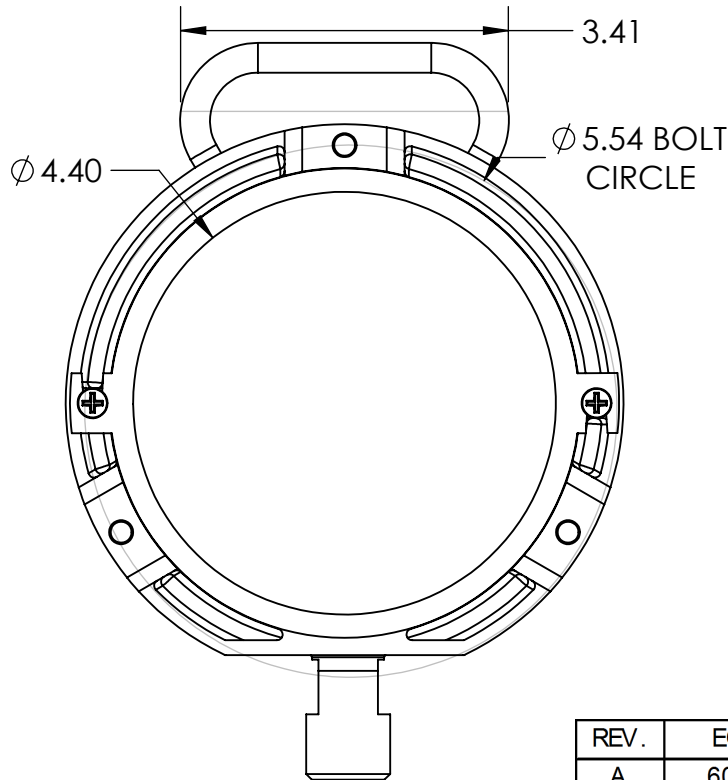
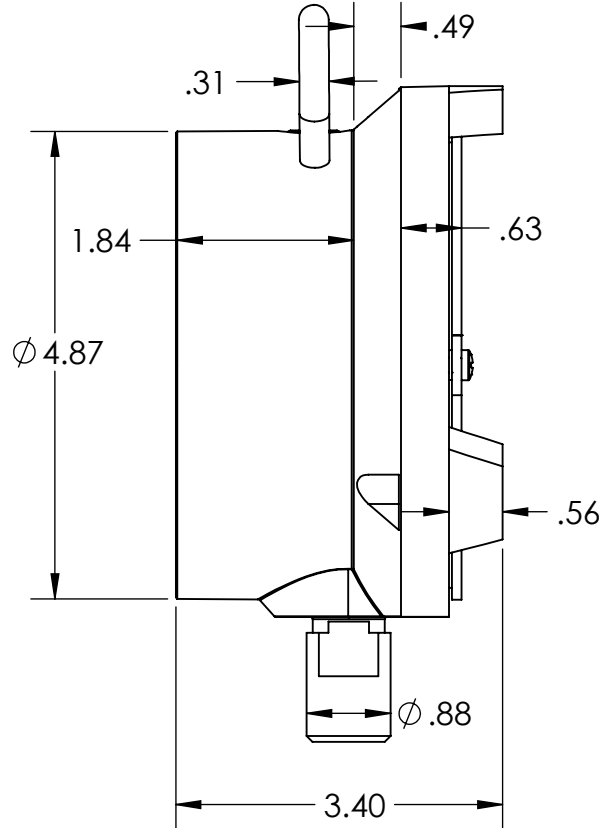
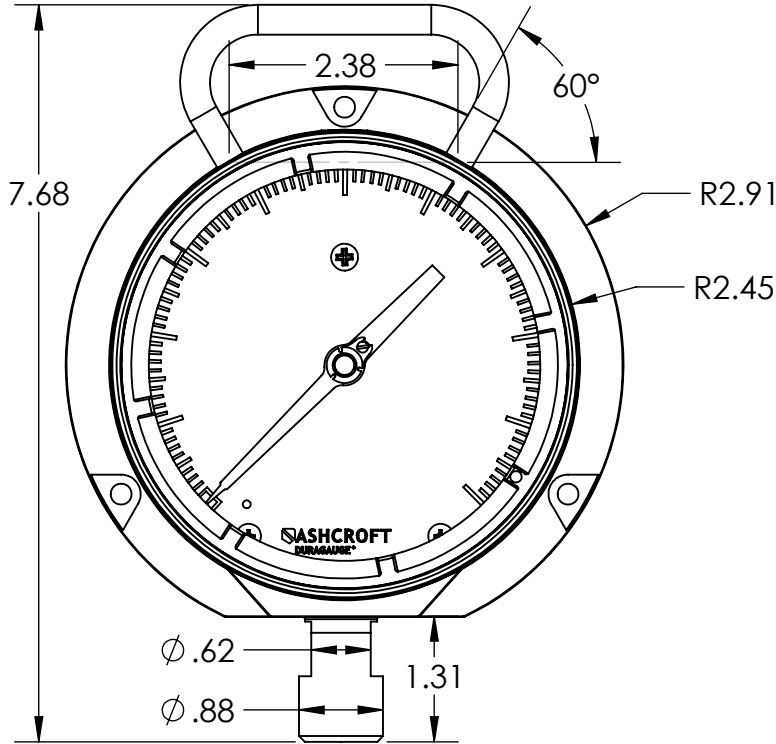


Third angle projection



This drawing includes confidential information which is the property of ASHCROFT INC. This copy is loaned for a specific purpose, with the understanding that it will not be reproduced or used for any other purpose or disclosed to others, and it will be returned on demand.

ASHCROFT® INC. 250 EAST MAIN STREET
STRATFORD, CT 06614



REV.	ECO	DESCRIPTION	BY	DATE
A	6016	NEW DRAWING RELEASE	JE	10/5/2012

This print certified correct for Customer's Name		General Dimensions 45 1150H 04L SERIES REID VAPOR TEST GAUGE			
Customer's Order No.					Date 10-05-12
Ashcroft Order No.		Checked	Date	SHEET-1	Rev.
Certified by	Date	Approved	Date	70A3947	A